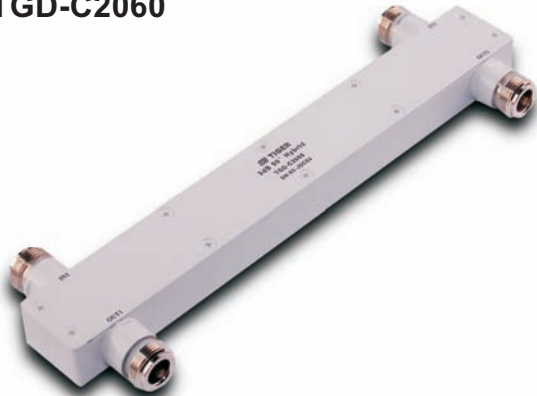


TGD-C SERIES SLABLINE 90° HYBRID

P/N:TGD-C2060



FEATURES AND APPLICATION:

TGD-C series slab line 90° hybrid adopts N-F connector and slab line structure on circuit. It gets low insertion loss, high isolation and high power handling that is convenient for using.

TGD-C series 90° hybrid is specially designed for wireless communication and can be used for BTS and repeaters of GSM, CDMA and WCDMA.

The series is Tiger's standard products and can be customized according to customer's needs.

TECHNICAL SPECIFICATIONS:

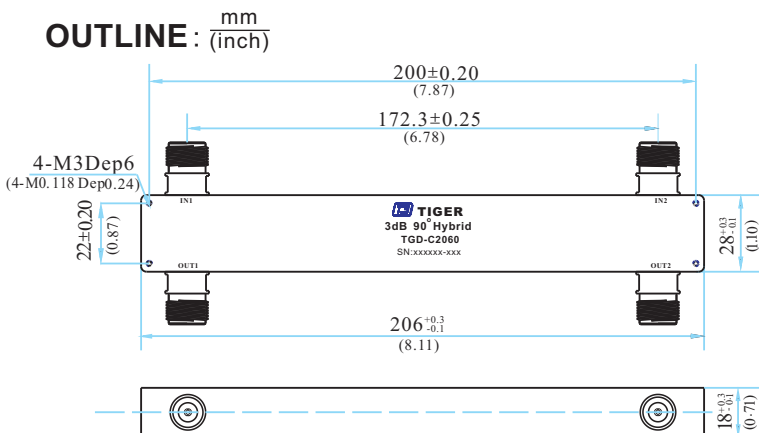
Frequency Range	Insertion Loss	Isolation	VSWR	Amplitude Balance
0.38-0.52GHz	0.20dB	25dB	1.2	±0.3dB
Phase Balance	Connector	Power Handling		
±3°	N-F	200/3KW		

ENVIRONMENTAL PARAMETERS:

WORKING TEMPERATURE: -20~+70 °C

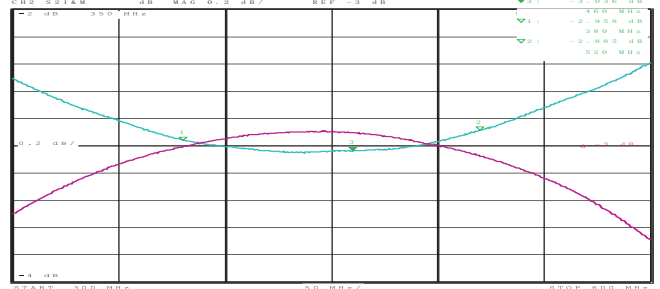
STORAGE TEMPERATURE: -40~+70 °C

OUTLINE: $\frac{\text{mm}}{\text{(inch)}}$

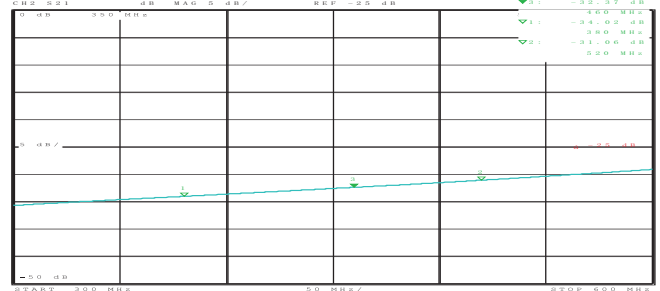


TYPICAL PLOT:

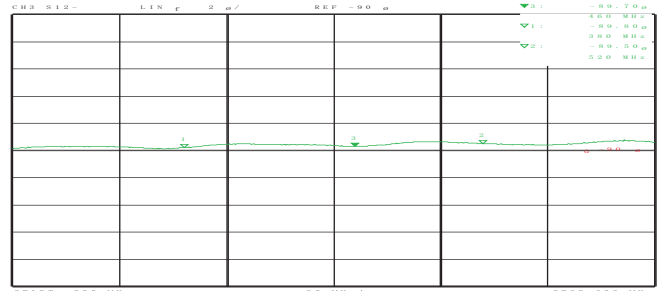
Insertion loss



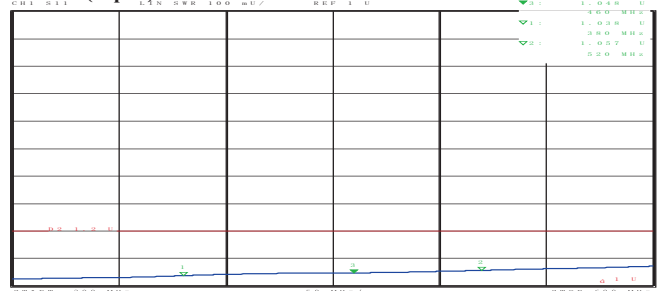
Isolation



Phase Balance



VSWR(input)



VSWR(output)

