

# TGD-A3 SERIES 180° HYBRID AND COMBINER

P/N:TGD-A3052



## FEATURES AND APPLICATION:

TGD-A3 series 180° hybrid adopts strip line structure, it gets low insertion loss, high isolation, good amplitude and phase accuracy, and high power handling.

TGP-A3052 broad band 180° hybrid is mainly used for EW, radar fields, combining power, discovering and tracking signal, single pulse radar and antenna and feeder system.

The series is Tiger's standard products and can be customized according to customer's needs.

## TECHNICAL SPECIFICATIONS:

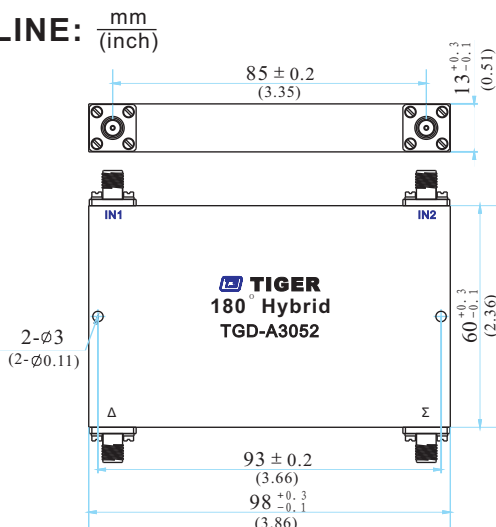
Frequency Range	Insertion Loss	Isolation	VSWR	Amplitude Balance
0.75-1.5GHz	0.60dB	22dB	1.40	±0.5dB
Phase Balance	Connector	Power Handling		
±10°	SMA-F	50W		

## ENVIRONMENTAL PARAMETERS:

WORKING TEMPERATURE: -55~+85°C

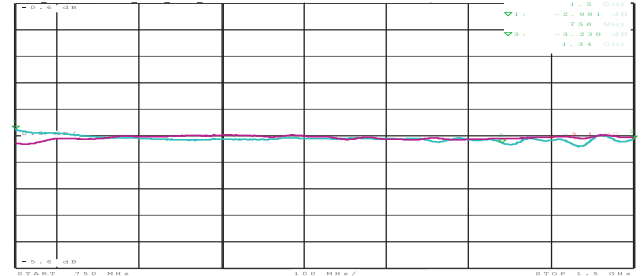
STORAGE TEMPERATURE: -55~+100°C

## OUTLINE:

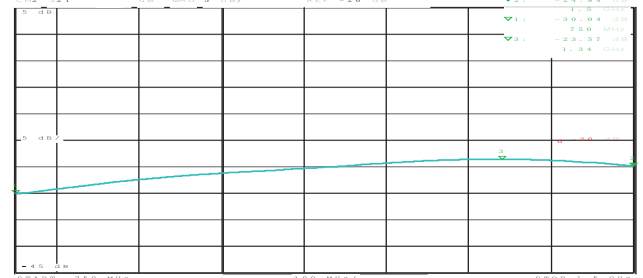


## TYPICAL PLOT:

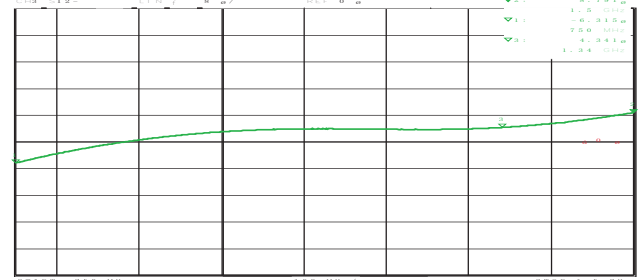
Insertion loss



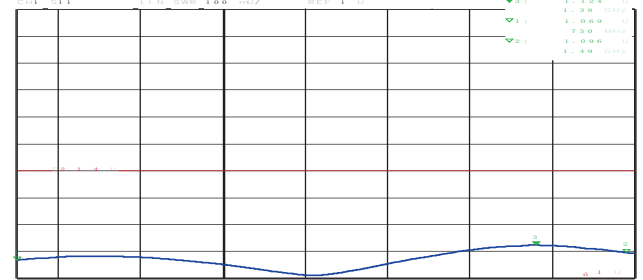
Isolation



Phase Balance



VSWR(input)



VSWR(output)

