

TGP-A SERIES POWER DIVIDER

P/N:TGP-A0413



FEATURES AND APPLICATION:

A series power divider is 0° power divider with SMA connector, that covers frequency 0.5-18GHz. It's with compact size, low insertion loss and VSWR and high isolation. The series is controlled under batch production that ensures good conformity and meets customer's requirement for large shipment.

TGP-A0413 mainly is used for EW, measuring and testing of ultra broadband system, splitting and combining 4 way microwave signal.

The series is Tiger's standard product and can be customized according to customer's needs.

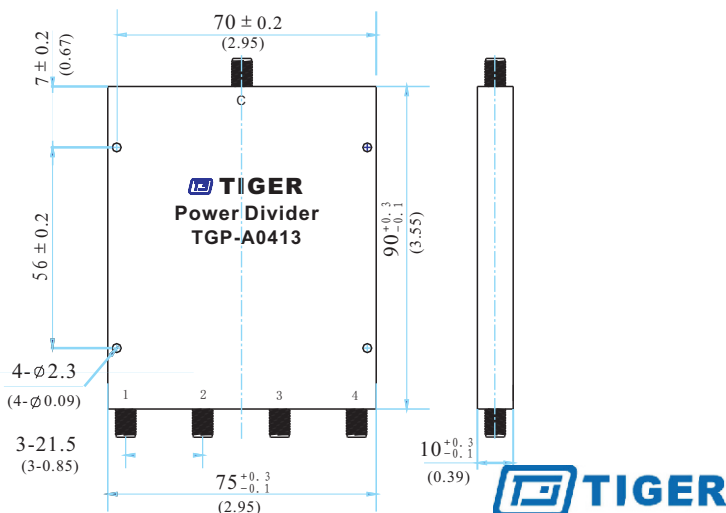
TECHNICAL SPECIFICATIONS:

Frequency Range	Insertion Loss	Isolation	Input VSWR	Output VSWR	Amplitude Balance
1-12.4GHz	2.80dB	16dB	1.60	1.35	±0.50dB
Phase Balance	Connector	Power Handling			
±7°	SMA-F	30W			

ENVIRONMENTAL PARAMETERS:

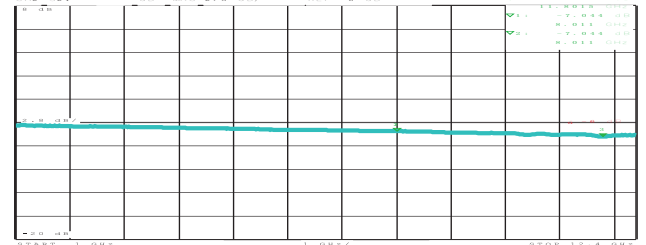
WORKING TEMPERATURE: -55~+85°C
 STORAGE TEMPERATURE: -55~+100°C

OUTLINE: $\frac{\text{mm}}{\text{(inch)}}$

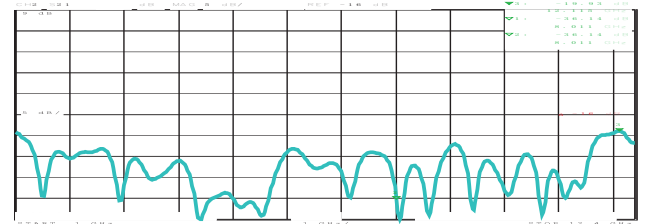


TYPICAL PLOT:

Insertion loss



Isolation



Phase Balance



VSWR

